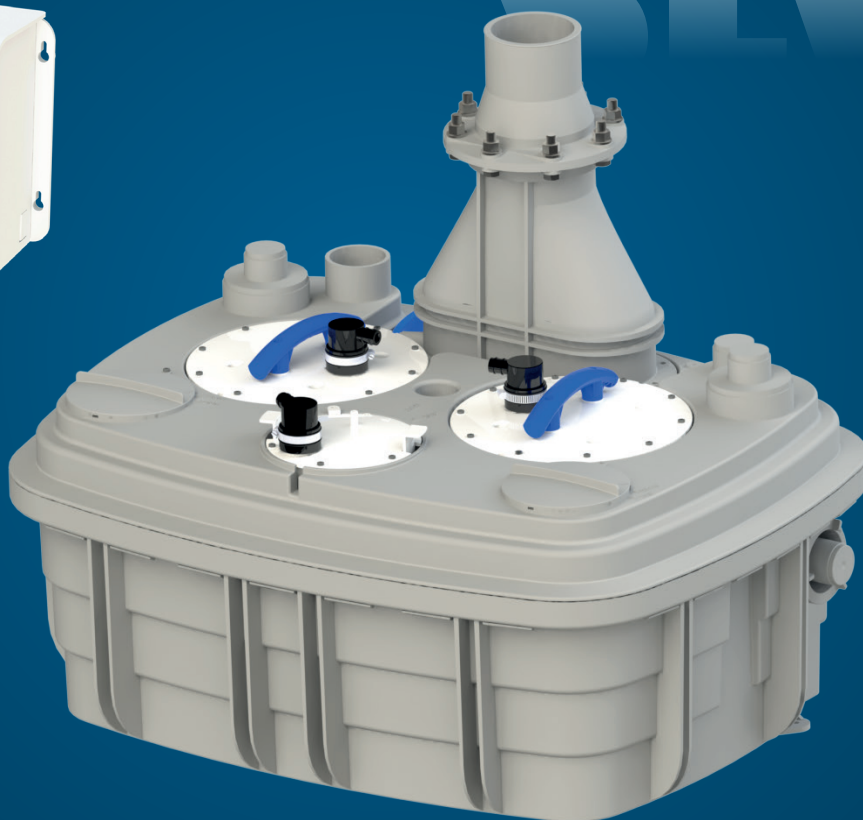


**CUBIC 2 VX**  
171 | 11.18

# SFA



## SANICUBIC<sup>®</sup> 2 VX

**FR** NOTICE D'INSTALLATION

**UK** INSTALLATION INSTRUCTIONS

**DE** INSTALLATIONSHINWEISE

**IT** STRUZIONI PER L'INSTALLAZIONE

**ES** MANUAL DE INSTALACIÓN

**PT** MANUAL DE INSTALAÇÃO

**NL** INSTALLATIE VOORSCHRIFTEN

**SE** INSTALLATIONSANVISNING

**DK** INSTALLATIONSVEJLEDNING

**NO** INSTALLASJONSANVISNING

**FI** ASENNUSOHJEET

**HU** FELSZERELÉSI ÉS KEZELÉSI ÚTMUTATÓ

**PL** INSTRUKCJA INSTALACJI

**RU** ИНСТРУКЦИЯ ПО МОНТАЖУ И ЭКСПЛУАТАЦИИ

**RO** MANUAL DE INSTALARE

**CZ** NÁVOD K INSTALACI A POUŽÍVÁNÍ

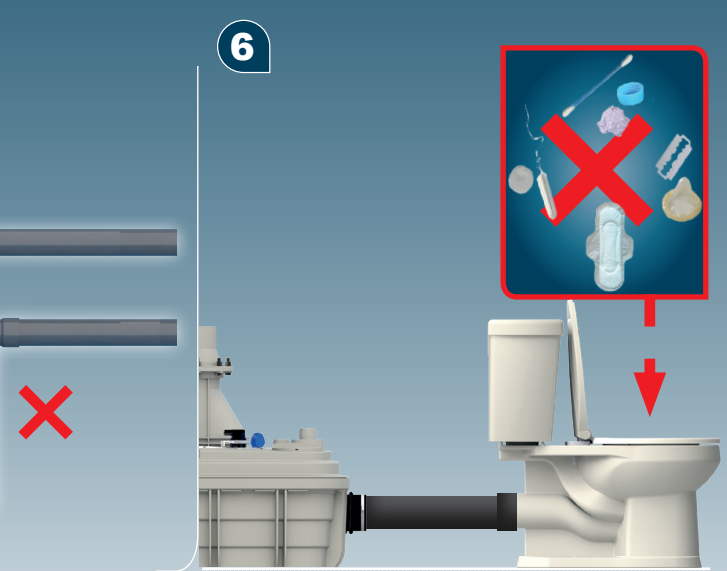
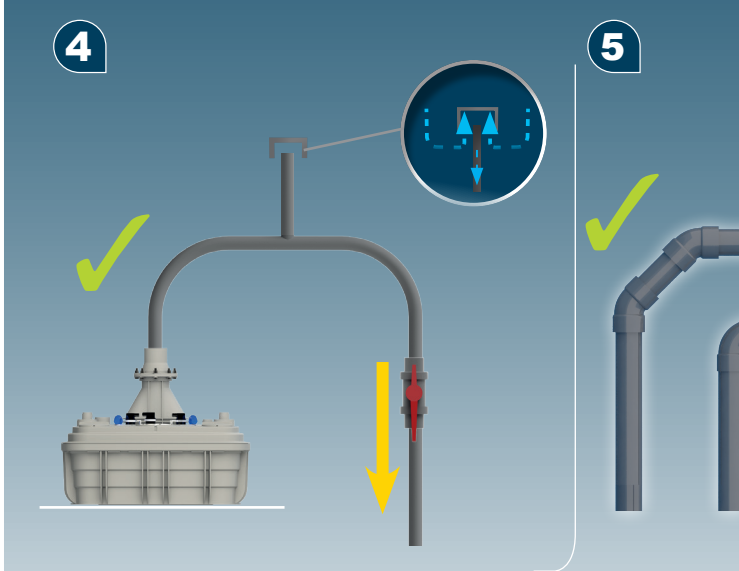
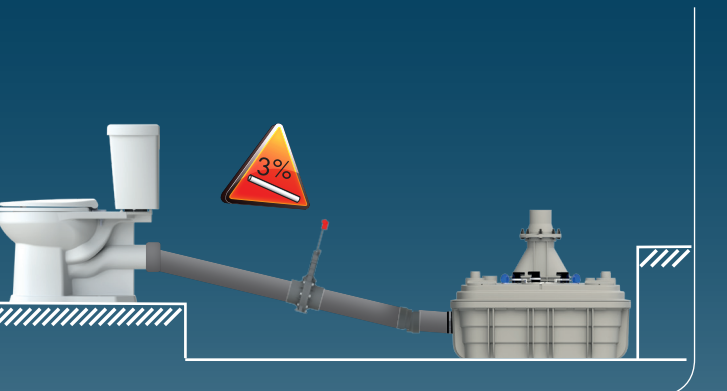
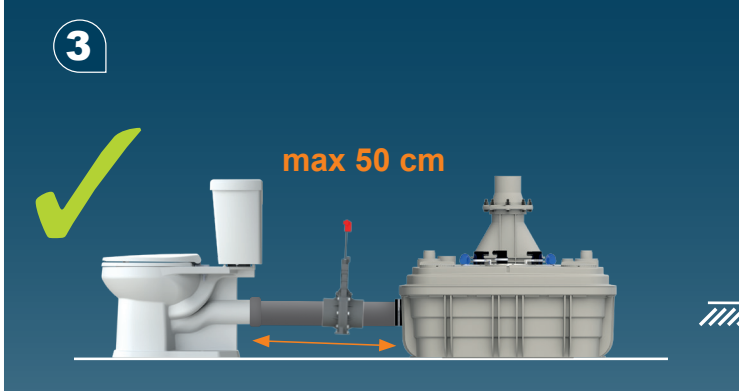
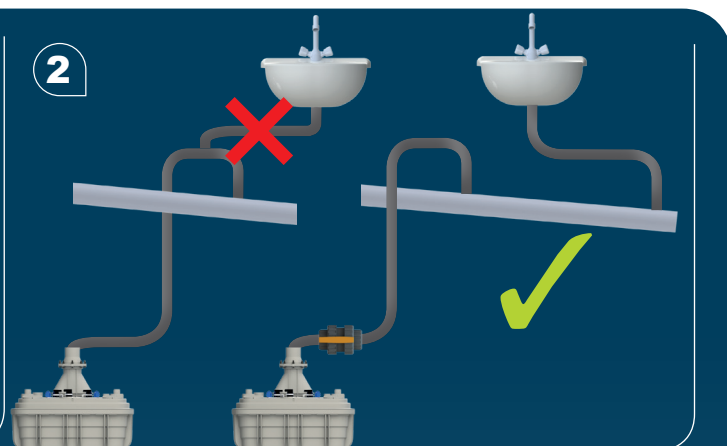
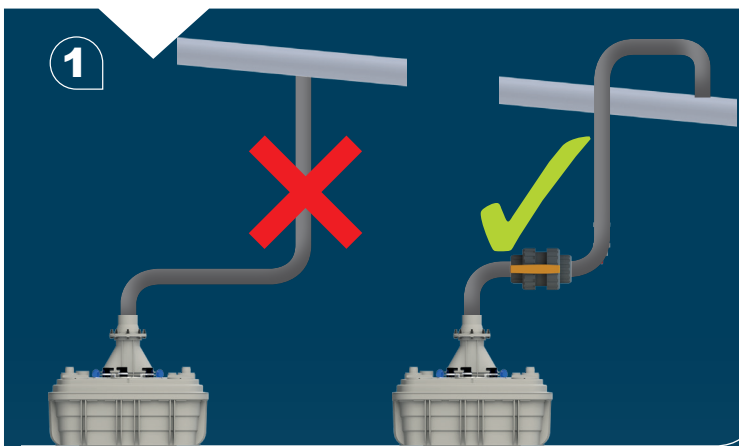
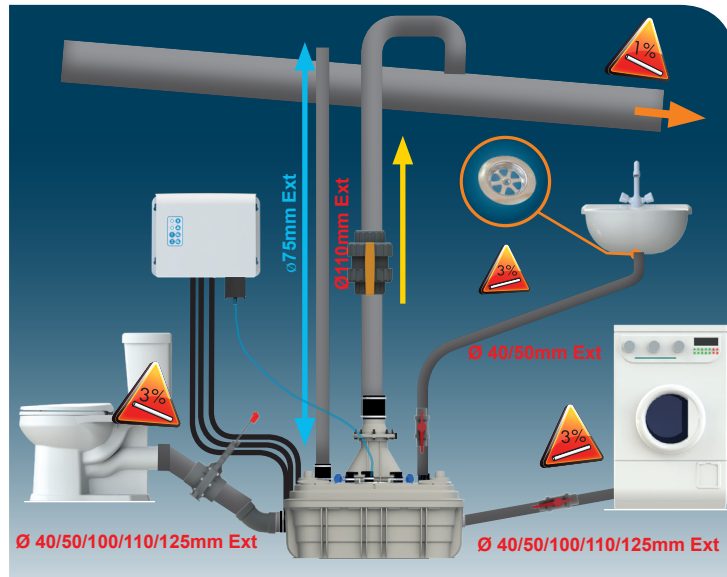
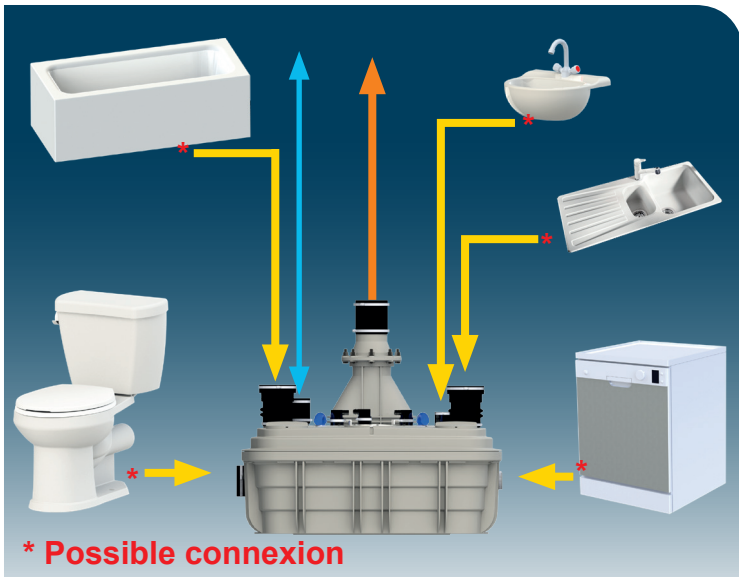
**TR** KURULUM KILAVUZU

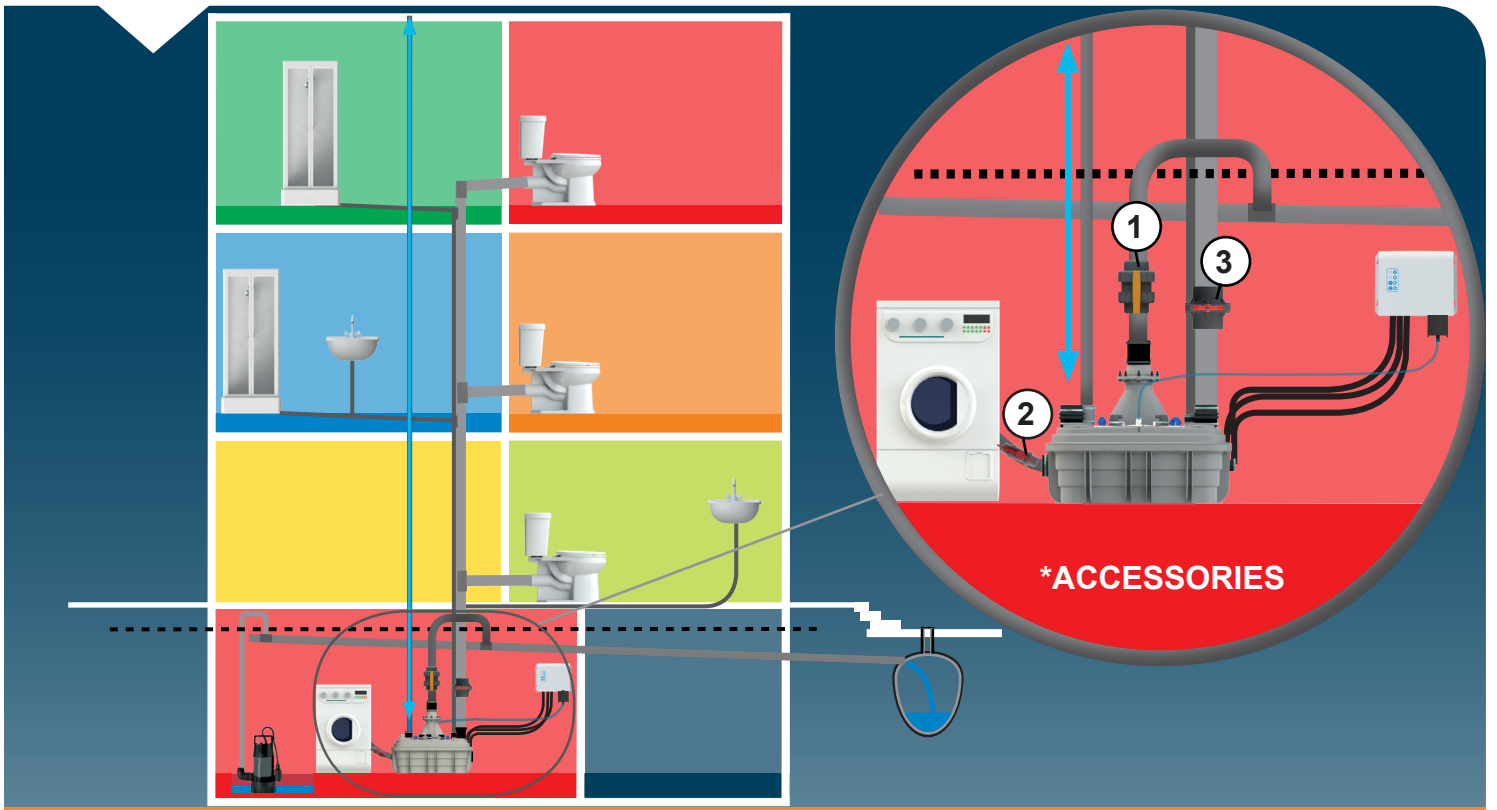
**EL** ΟΔΗΓΙΕΣ ΕΓΚΑΤΑΣΤΑΣΗΣ

**CN** 指南以备用

**KR** 설치내용서

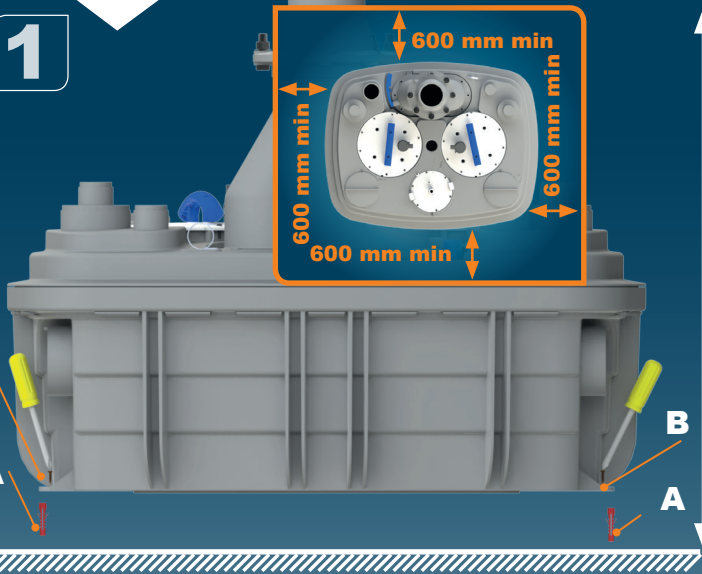
CE





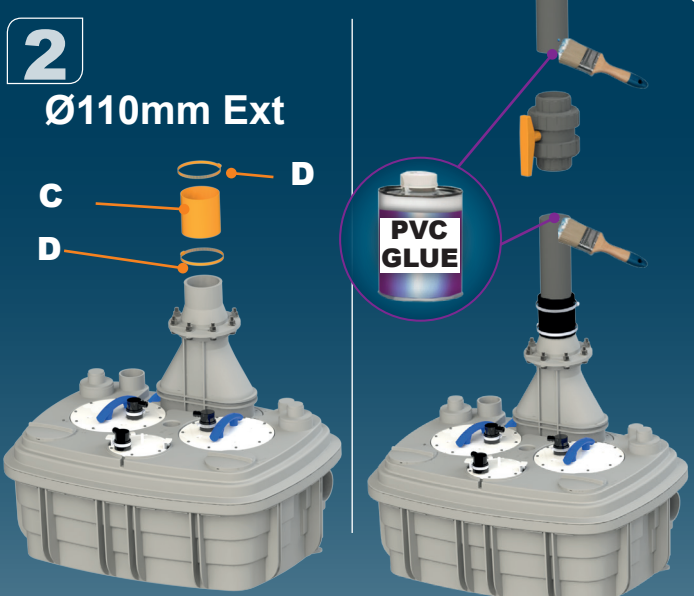
|   |   |  |   |  |   |
|---|---|--|---|--|---|
| <br><b>A</b><br>x2                    | <br><b>B</b><br>x2              | <br><b>C</b><br>x1<br>Ø110mm   | <br><b>D</b><br>x2<br>118x126 | <br><b>E</b><br>x4<br>Ø40/50mm | <br><b>F</b><br>x8<br>40x60 |
| <br><b>G</b><br>x1<br>Ø100/110/125mm | <br><b>H</b><br>x2<br>Ø100/110 | <br><b>I</b><br>x4<br>100/120 | <br><b>J</b><br>x1<br>Ø75mm  | <br><b>K</b><br>x2<br>80x100  | <br><b>L</b><br>x2         |
| <br><b>M</b><br>x1                   | <br><b>N</b><br>x1             | <br><b>O</b><br>x1<br>120/140 |                            |  |   |

**1**



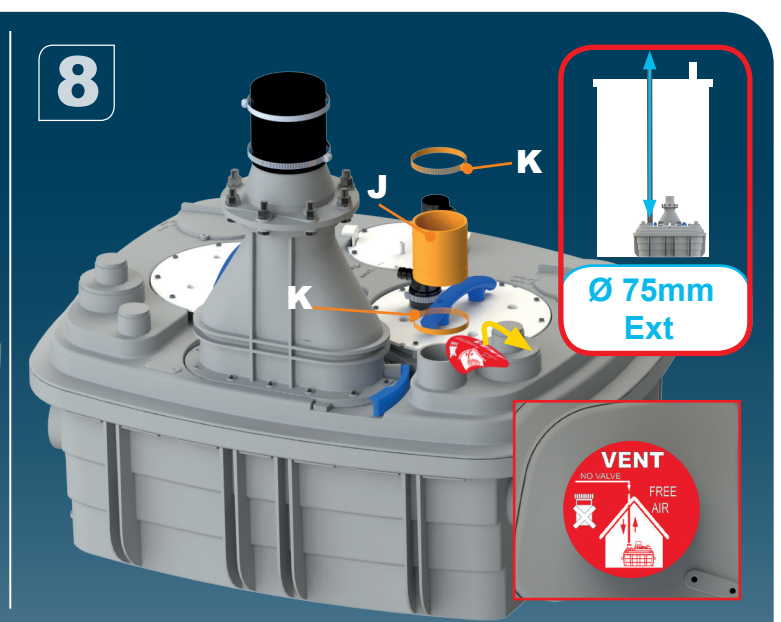
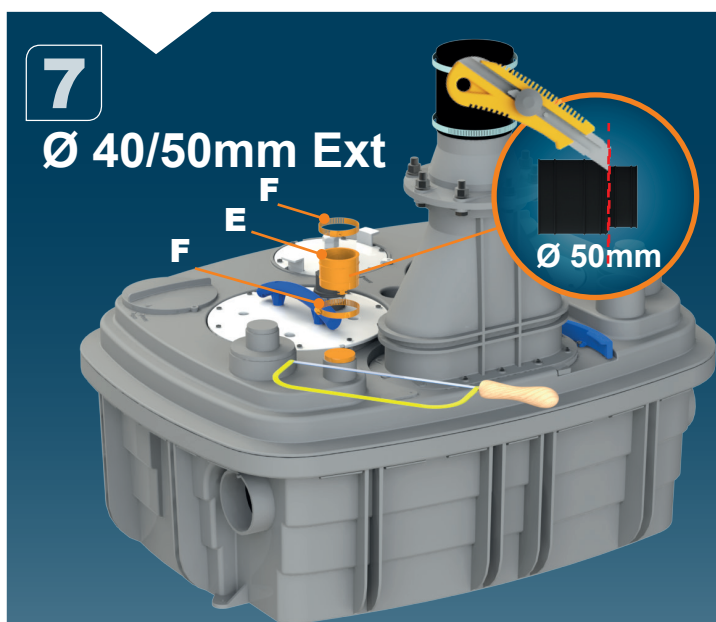
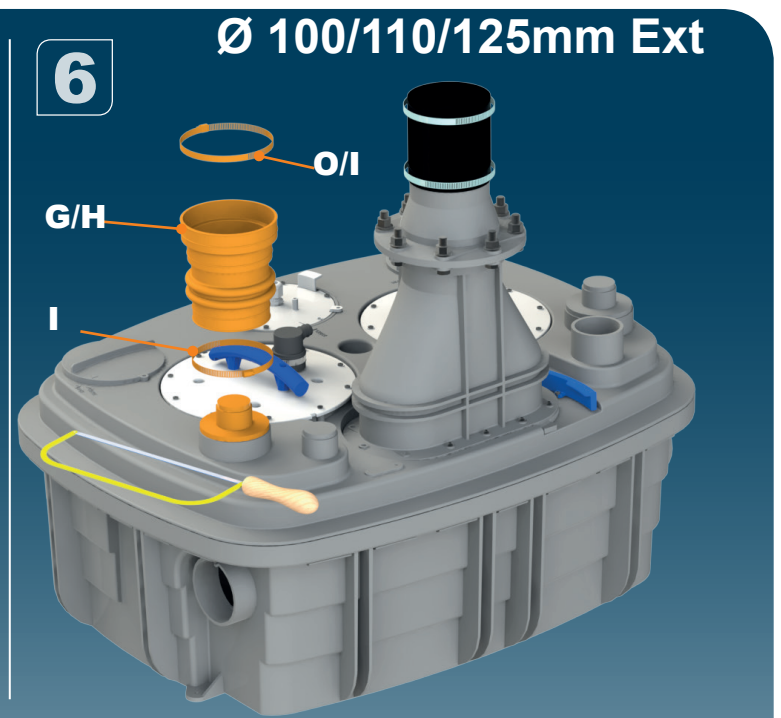
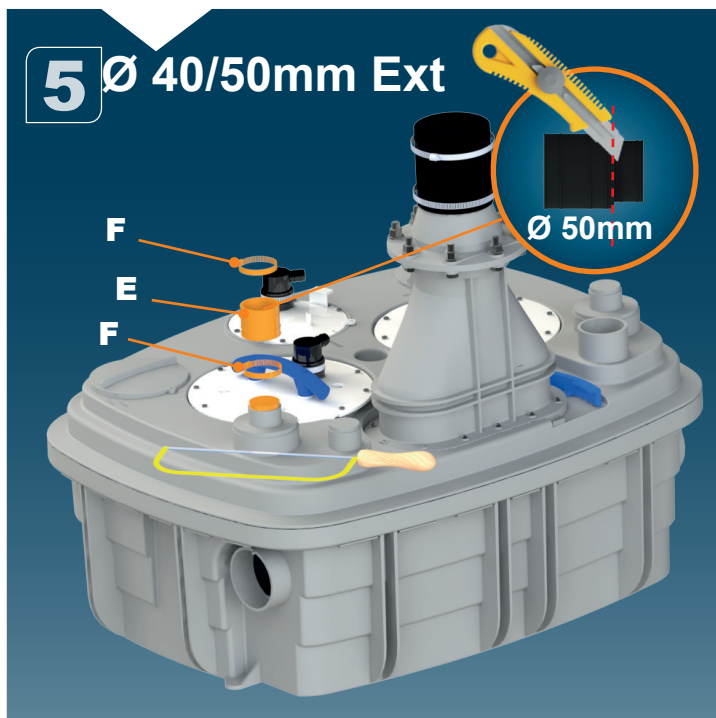
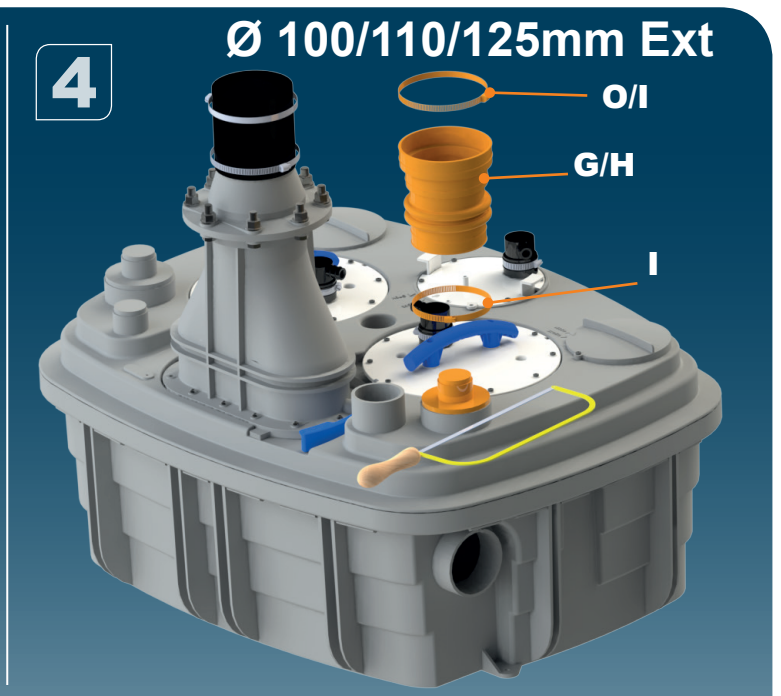
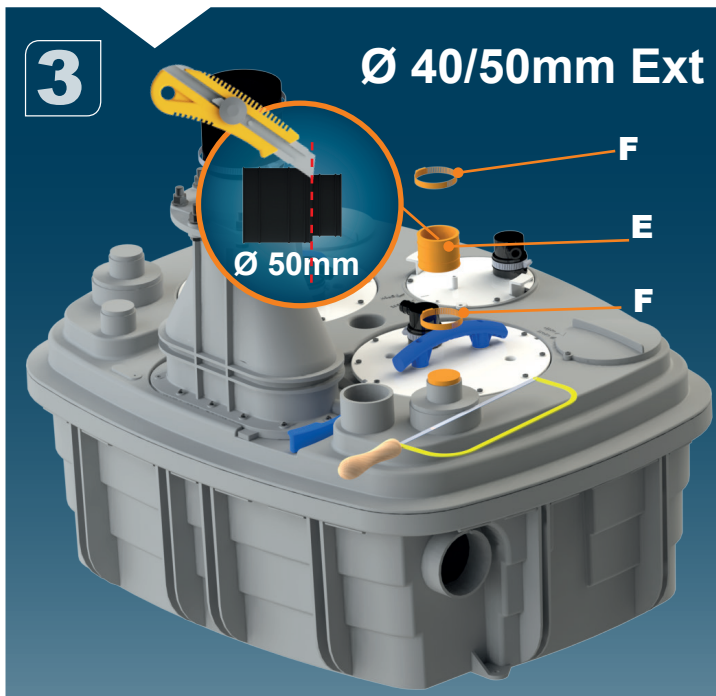
**2**

Ø110mm Ext



**C** **D**

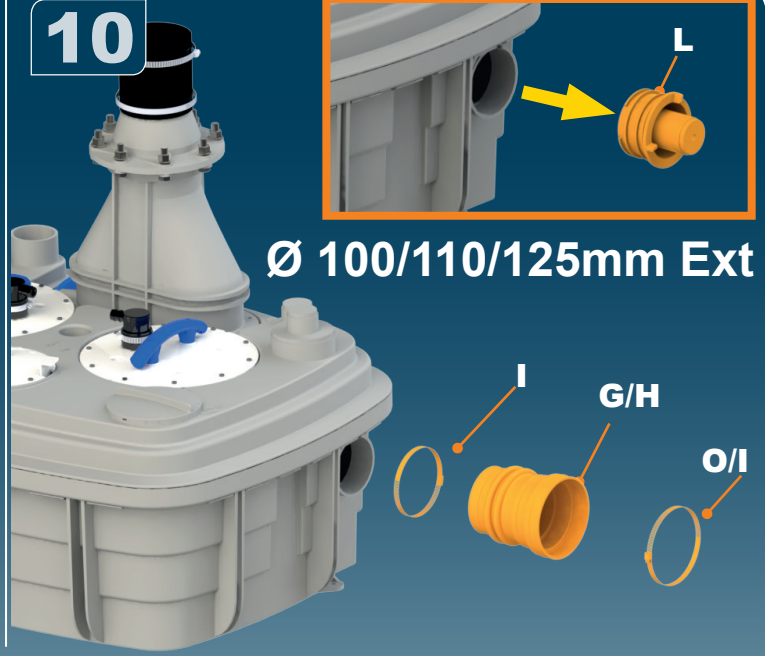
**PVC GLUE**



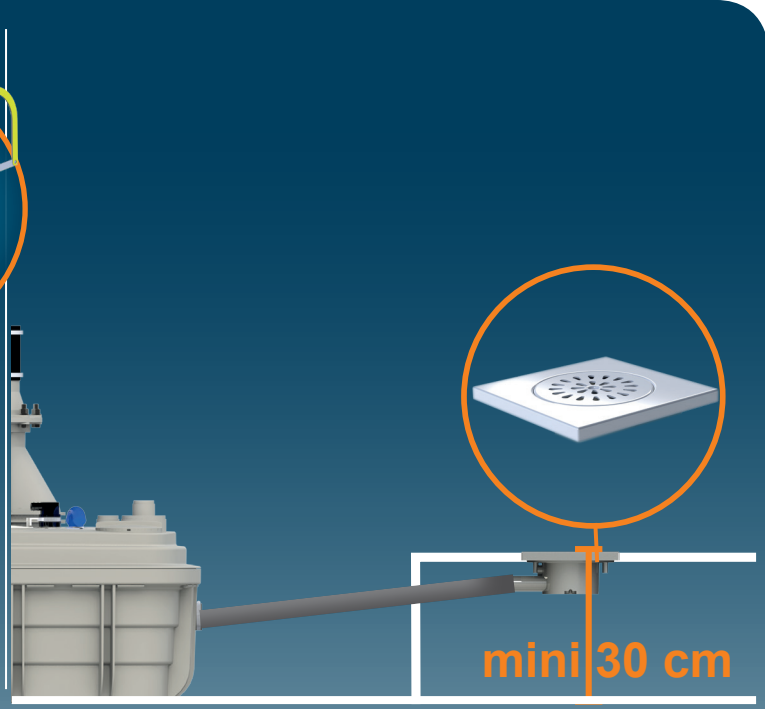
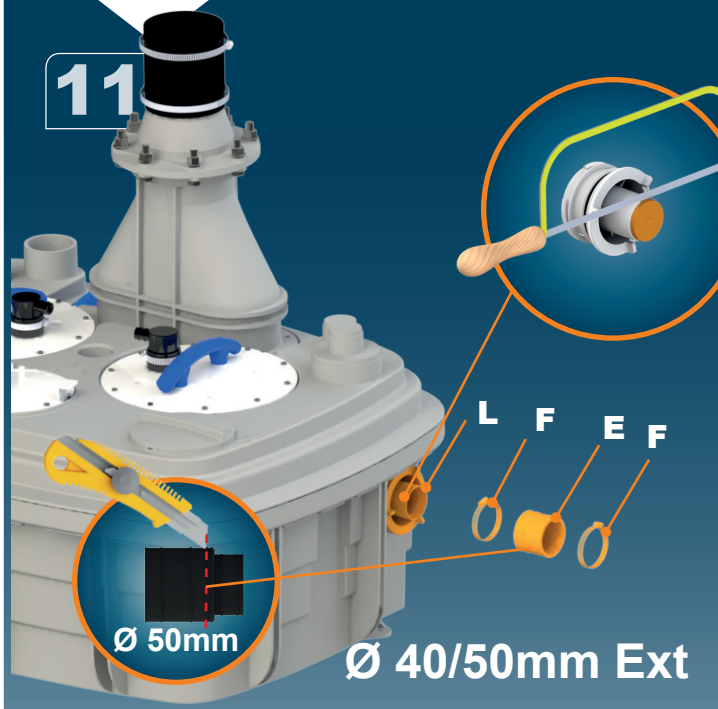
9



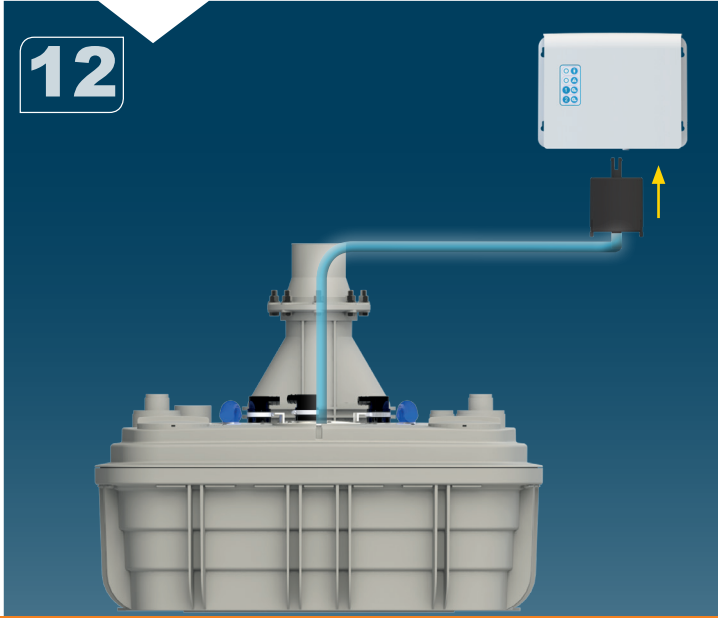
10



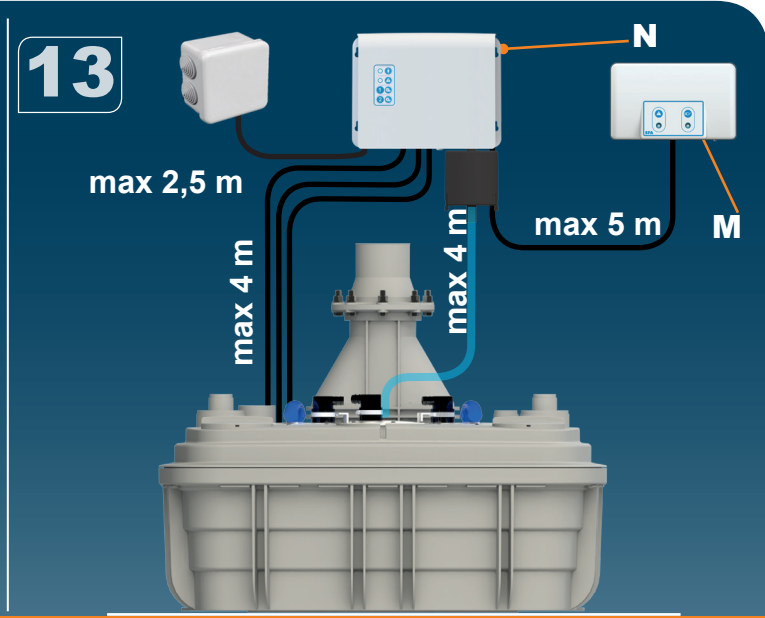
11

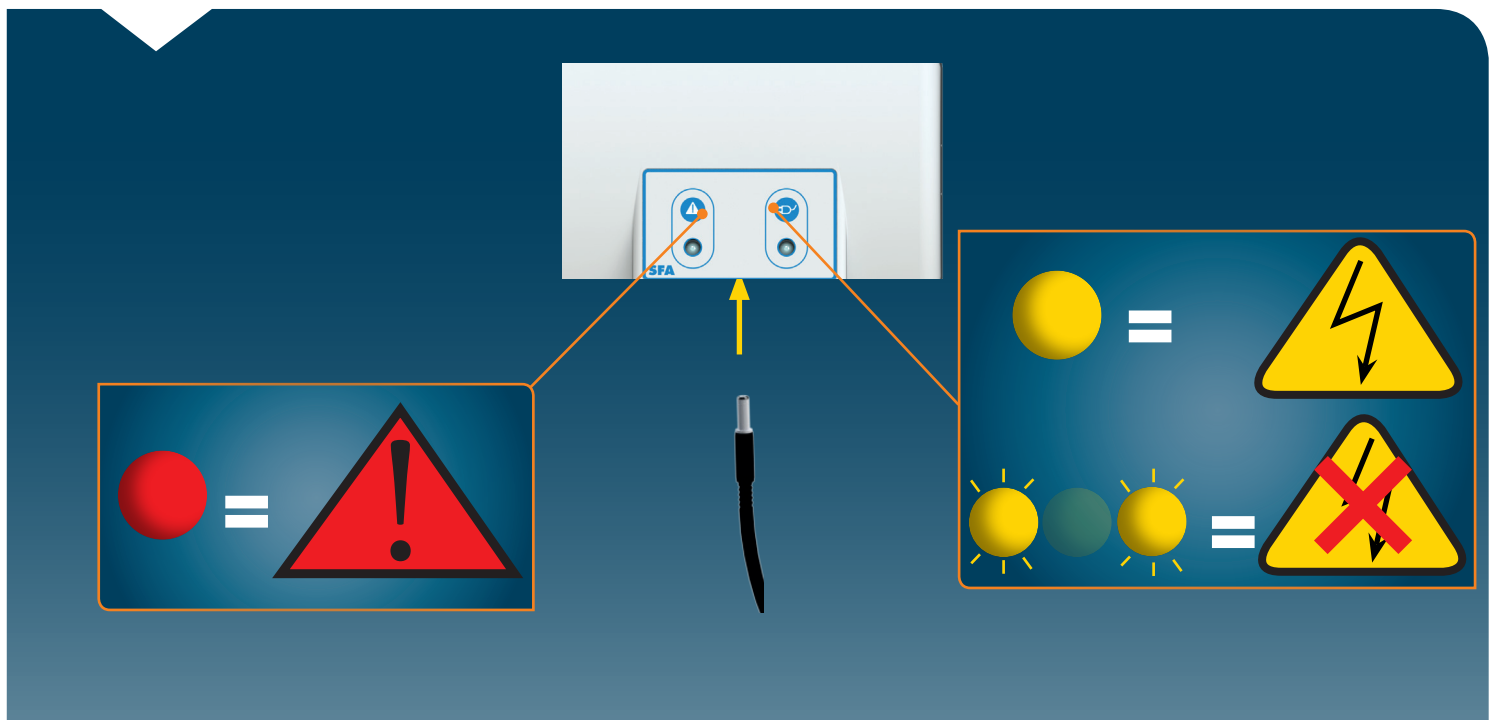
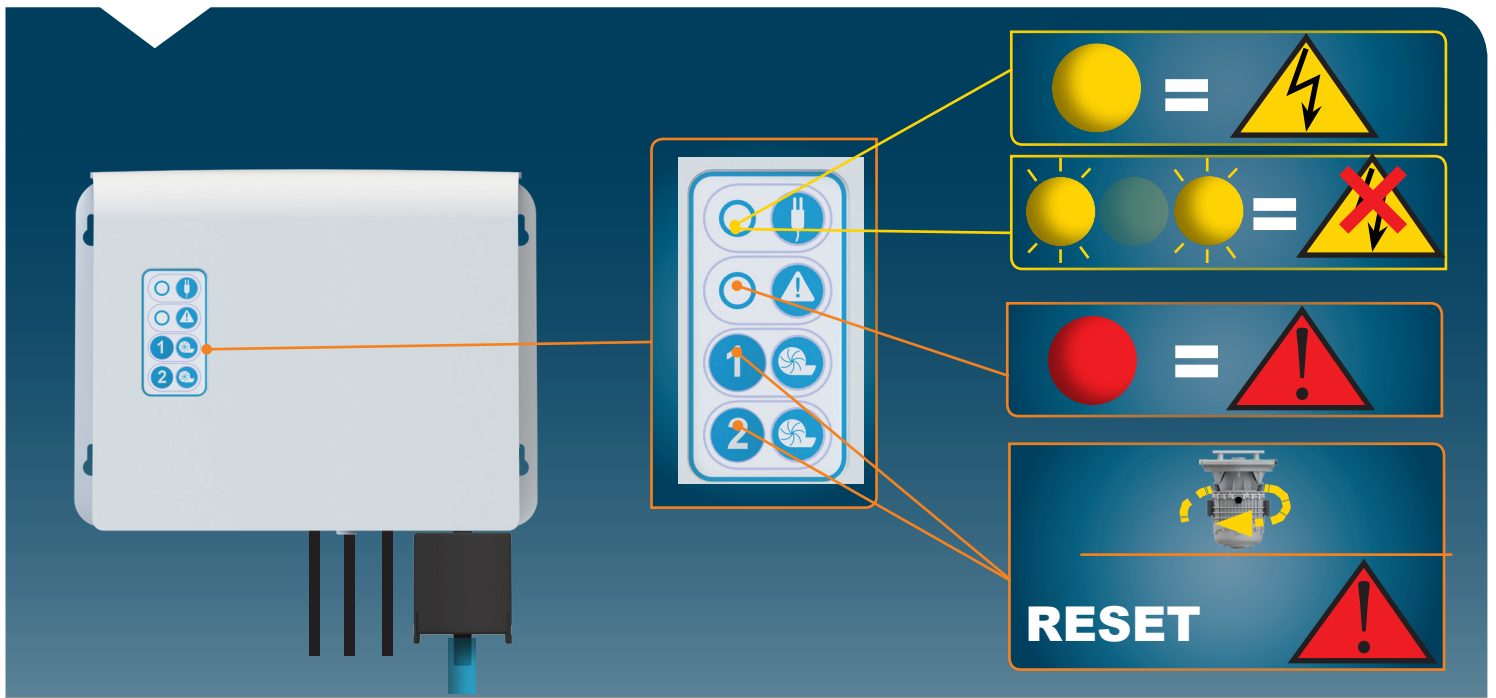


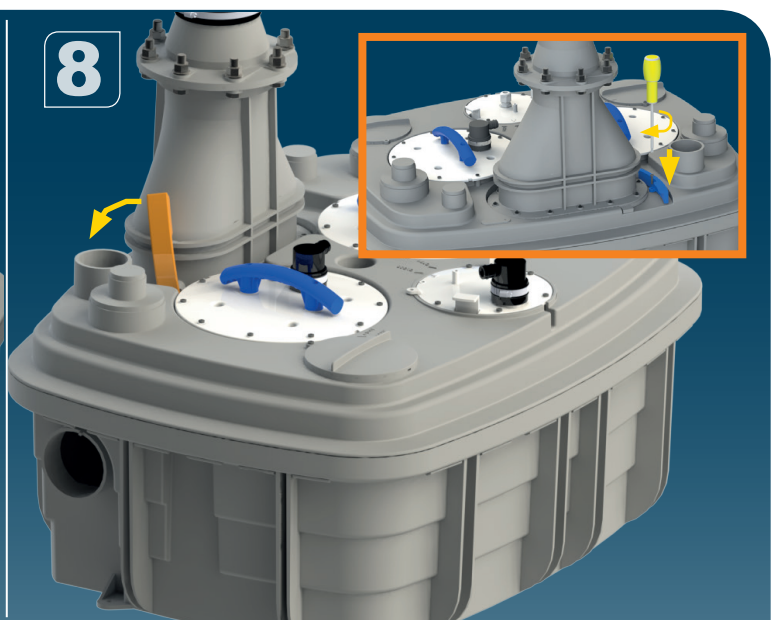
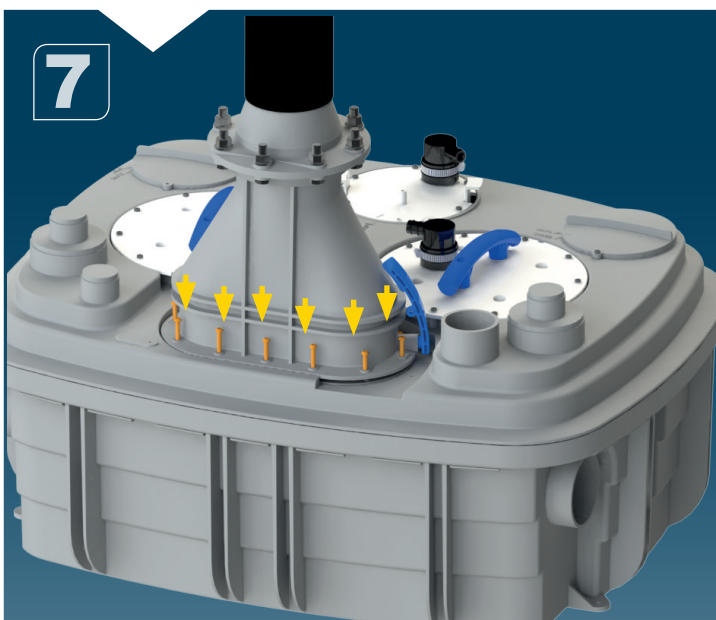
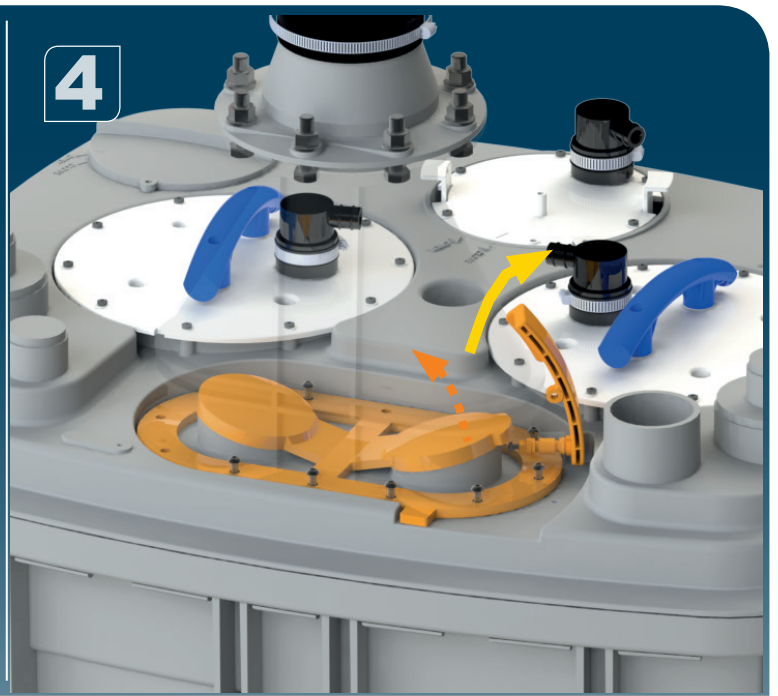
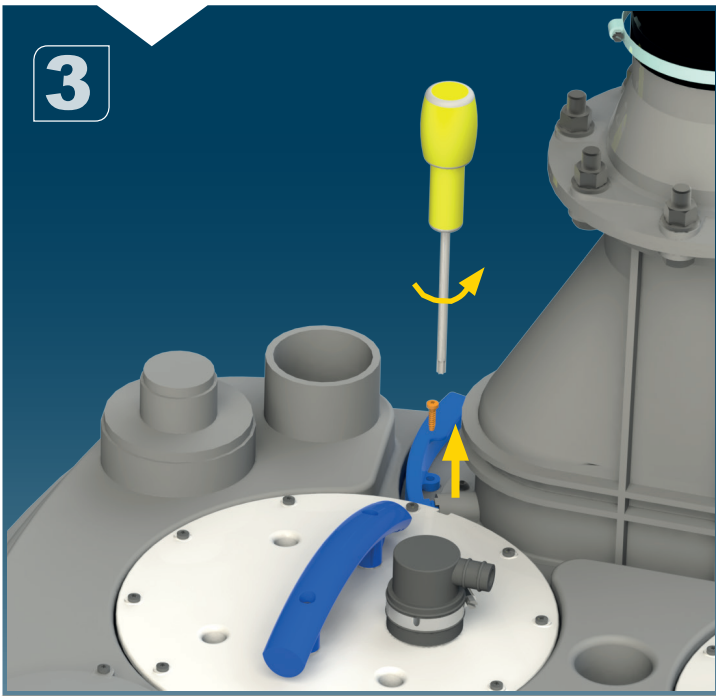
12



13







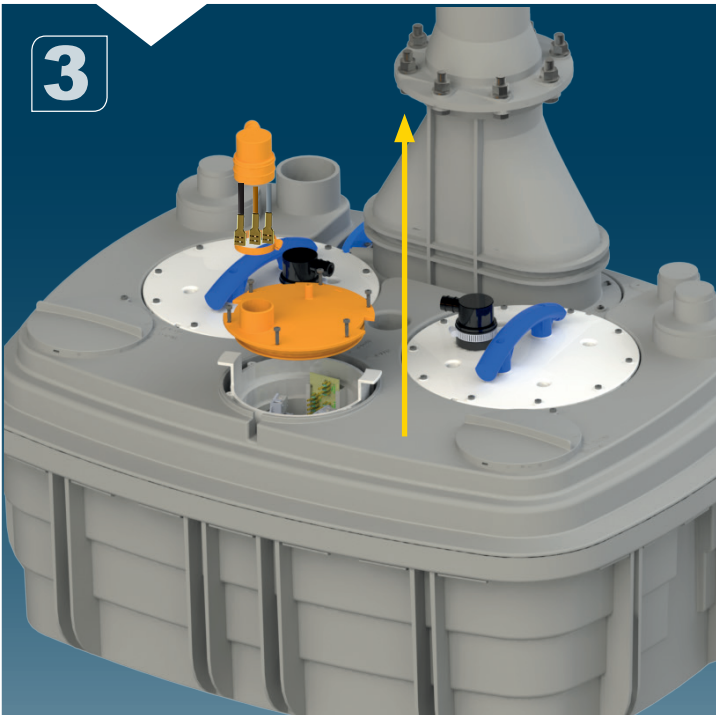
1



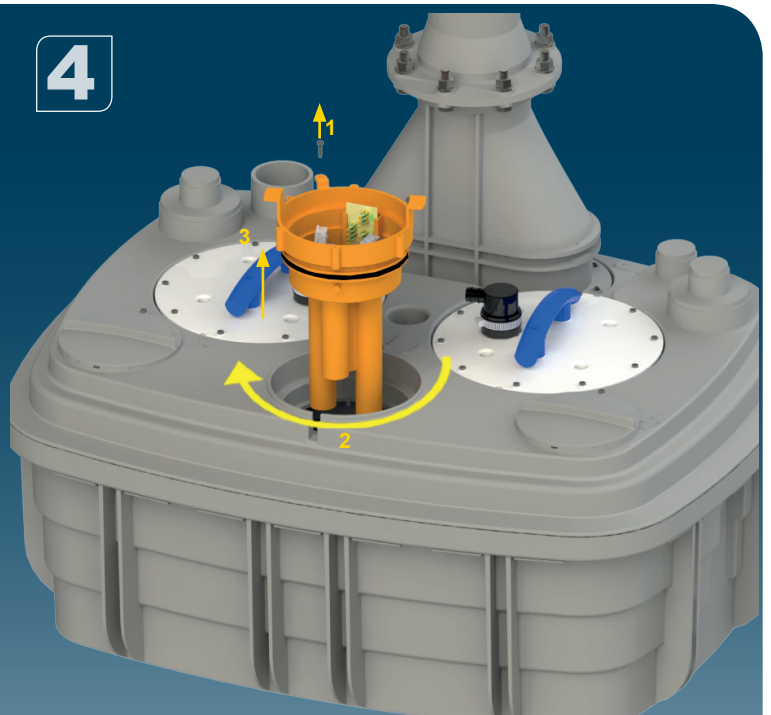
2



3



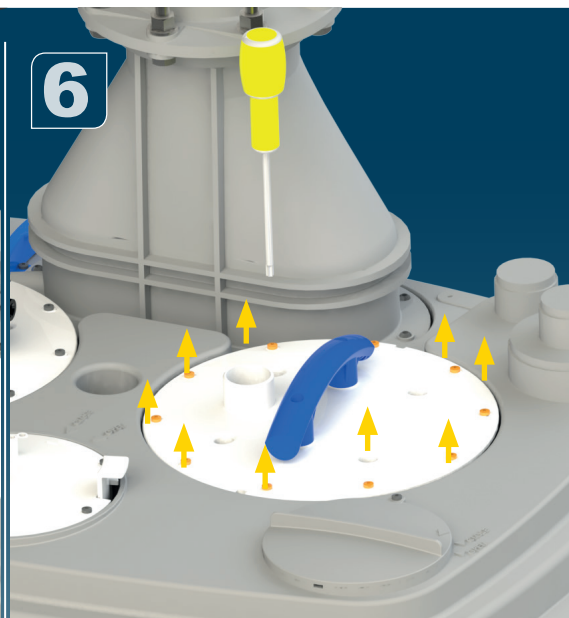
4



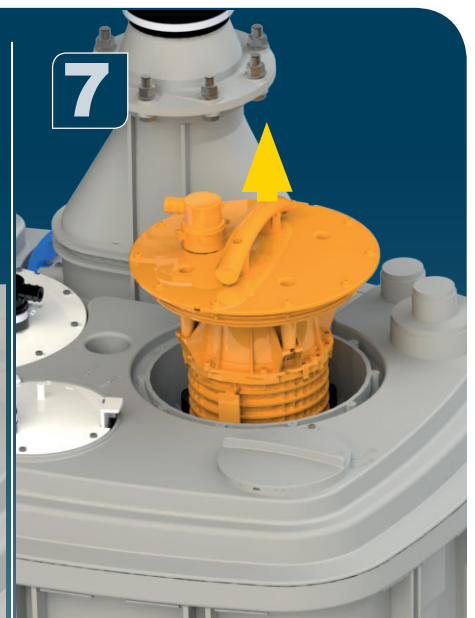
5



6



7



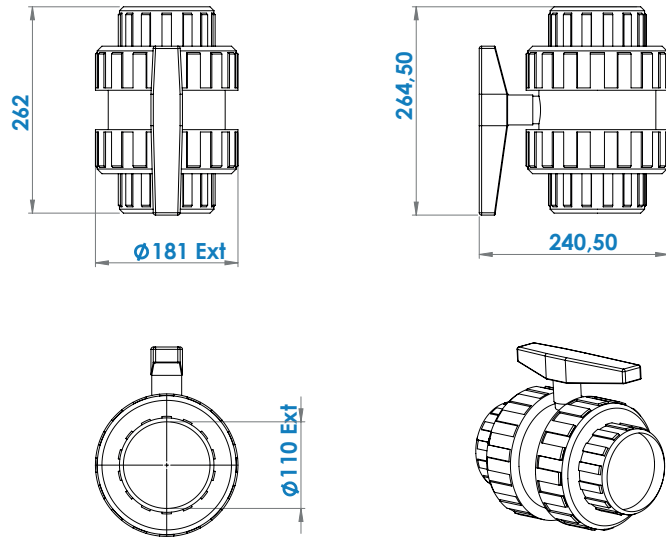


# ACCESSORIES OPTION

1



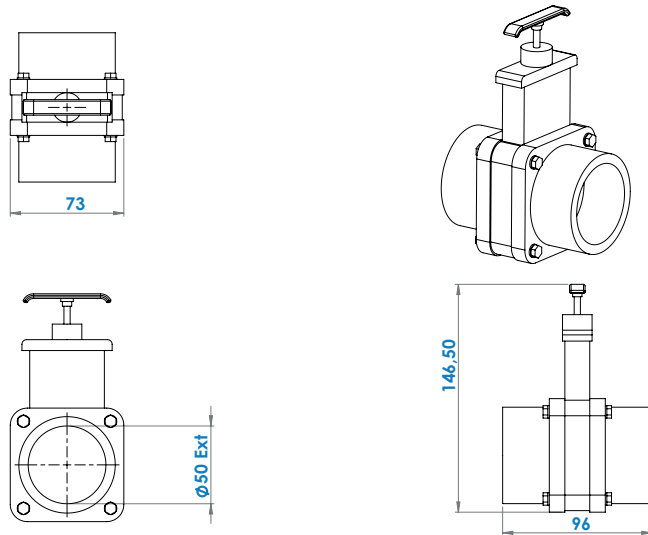
**Ø110mm Ext**  
For discharge pipe



2



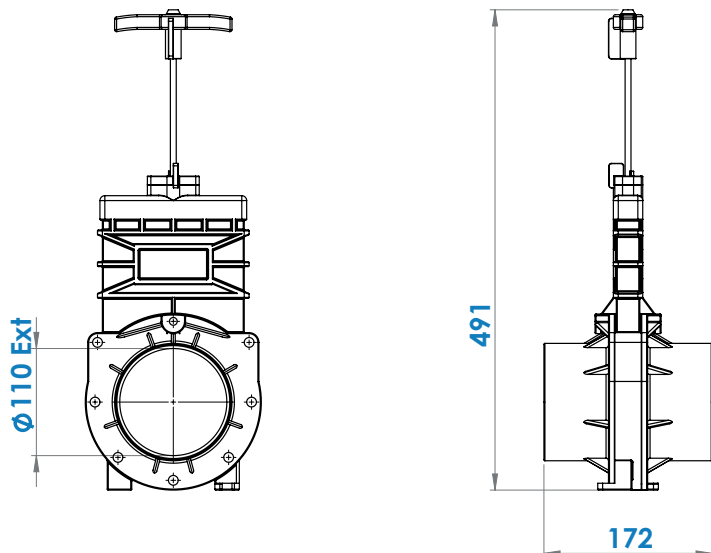
**Ø50mm Ext**  
For inlet pipe

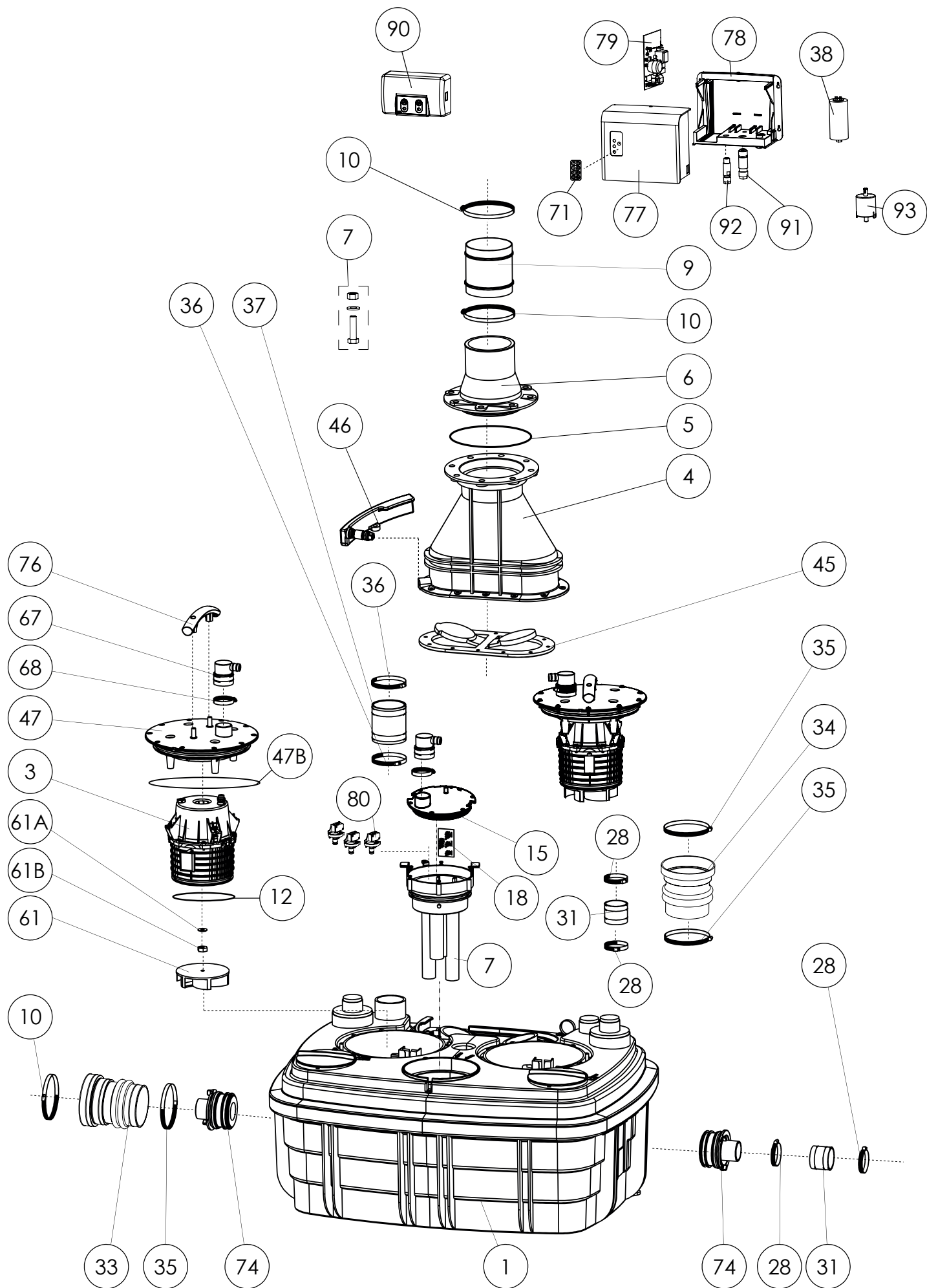


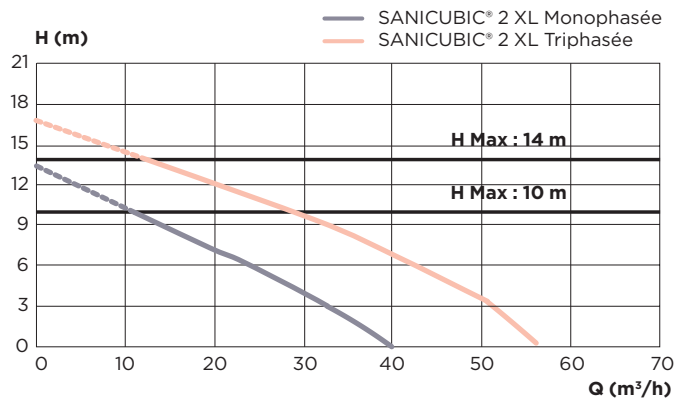
3



**Ø 100mm  
or 110mm Ext.**  
For inlet pipe

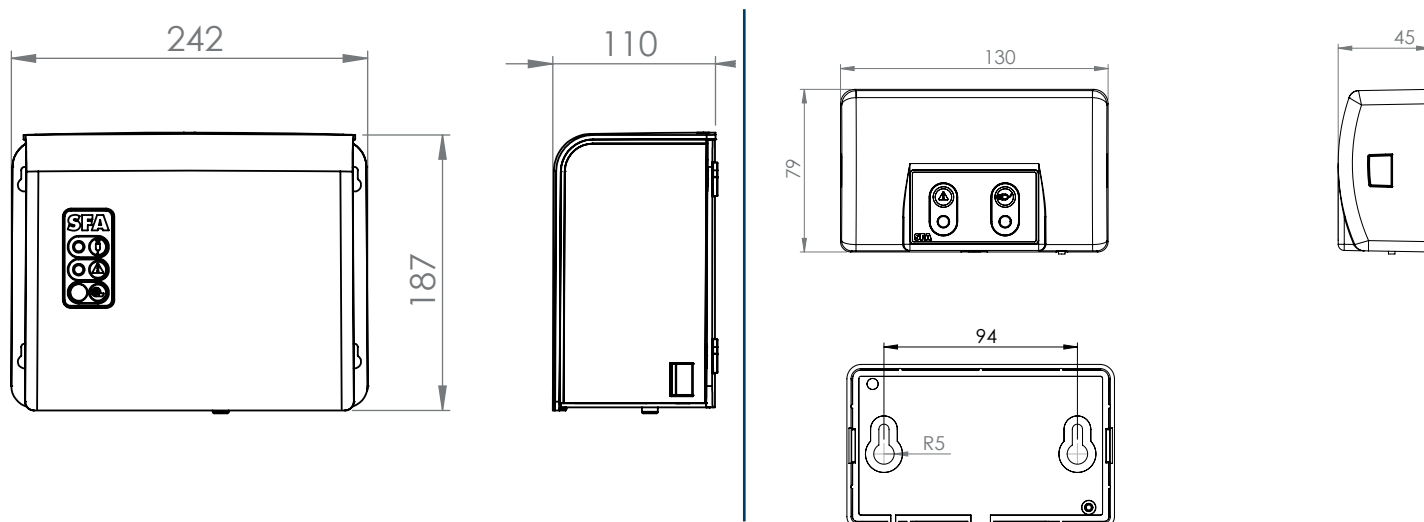


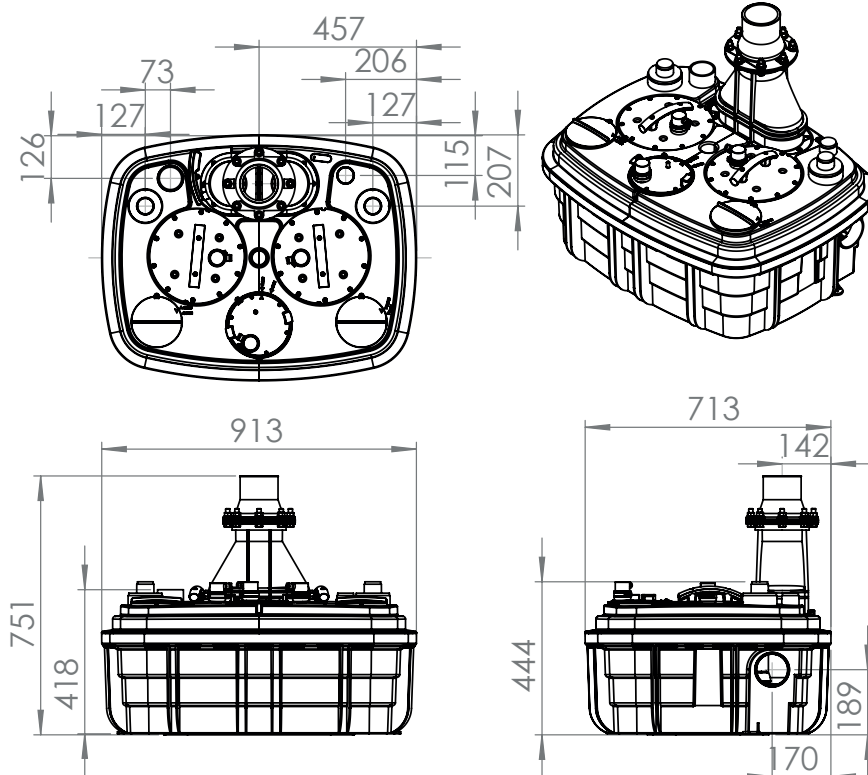




## SANICUBIC 2 VX EN 12050-1

| Data specifications             |                                   |          |
|---------------------------------|-----------------------------------|----------|
| Type of current                 | 1 phase                           | 3 phase  |
| Voltage                         | 220-240 V                         | 400 V    |
| Frequency                       | 50-60 Hz                          | 50-60 Hz |
| Motor rating (for one motor)    | 2 kW                              | 3,5 kW   |
| Current (for one motor)         | 8A                                | 12 A     |
| Cable (4m) sensor - control box | H07RN-F 3X1,5                     |          |
| Cable (4m) engine - control box | H07RN-F 4G1,5                     |          |
| Cable (2,5m) Power supply cable | H07RN-F 3G1,5                     | 5G2,5    |
| Protection code                 | Station : IP68, control box: IPX4 |          |
| max. discharge height           | 13 m                              | 17 m     |
| max. flow rate                  | 40 m3/h                           | 55 m3/h  |
| max temperature                 | 35°C (70°C, 5 min)                |          |
| Free passage                    | 50 mm                             |          |
| Tank volume                     | 120 L                             |          |
| useful volume                   | 26 L                              |          |
| ON / OFF level activation       | 180 mm / 100 mm                   |          |
| ON alarm activation             | 250 mm                            |          |
| Weight including accessories    | 88 kg                             |          |
| Discharge                       | Øext 110 mm                       |          |
| Inlet                           | Øext 125, 110, 100, 50, 40 mm     |          |
| Ventilation                     | Øext 75 mm                        |          |





#### FRANCE

##### SOCIÉTÉ FRANÇAISE D'ASSAINISSEMENT

41 bis avenue Bosquet - 75007 Paris  
Tel. +33 1 44 82 39 00  
Fax +33 1 44 82 39 01

#### UNITED KINGDOM

##### SANIFLO Ltd.,

Howard House, The Runway  
South Ruislip Middx.,  
HA4 6 SE  
Tel. +44 208 842 0033  
Fax +44 208 842 1671

#### IRELAND

##### SANIRISH Ltd

IDA Industrial Estate  
Edenderry - County Offaly  
Tel. + 353 46 9733 102  
Fax + 353 46 97 33 093

#### AUSTRALIA

##### SANIFLO (Australasia) Pty Ltd

Unit 9/10, 25 Gibbes Street  
Chatswood NSW 2067  
Tel. +61 298 826 200  
Fax +61 298 826 950

#### DEUTSCHLAND

##### SFA SANIBROY GmbH

Waldstr. 23 Geb. B5 - 63128  
Dietzenbach  
Tel. (060 74) 30928-0  
Fax (060 74) 30928-90

#### ITALIA

##### SFA ITALIA spa

Via del Benessere, 9  
27010 Sizzano (PV)  
Tel. 03 82 61 81  
Fax 03 82 61 8200

#### ESPAÑA

##### SFA S.L.

C/ del Sant Crist, 21 Pl. Pla d'En Boet  
08302 Mataró - Barcelona  
Tel. +34 93 544 60 76  
Fax +34 93 462 18 96

#### PORTUGAL

##### SFA, Lda.

Sintra Business Park, ed.01-1ºP2710-089 SINTRA  
Tel. +35 21 911 27 85  
Fax +35 21 957 70 00

#### РОССИЯ

##### SFA РОССИЯ

101000 Москва - Колпачный переулок 9а  
Тел. (495) 258 29 51  
Факс. (495) 258 29 51

#### SUISSE SCHWEIZ SVIZZERA

##### SFA SANIBROY AG

Vorstadt 4  
3380 Wangen a. A.  
Tel. + 41 (0)32 631 04 74  
Fax + 41 (0)32 631 04 75

#### BENELUX

##### SFA BENELUX B.V.

Industrieweg 1c-d,  
6101 WS ECHT  
Tel. +31 475 487100  
Fax +31 475 486515

#### SVERIGE

##### SANIFLO AB

BOX 797  
S-191 27 Sollentuna  
Tel. +46 (0)8-404 15 30  
info@saniflo.se

#### POLSKA

##### SFA POLAND Sp. z o.o.

ul. Białolecka 168  
03-253 Warszawa  
Tel. (+4822) 732 00 32  
Fax (+4822) 751 35 16

#### ČESKÁ REPUBLIKA

##### SFA-SANIBROY, spol. s r.o

Sokolovská 445/212, 180 00 Praha 8  
Tel. +420 266 712 855  
Fax, +420 266 712 856

#### ROMANIA

##### SFA SANIFLO S.R.L.

145B Foisorului Street District 3  
31177 BUCURESTI  
Tel. +40 256 245 092  
Fax +40 256 245 029

#### TÜRKIYE

##### SFA SANIHYDRO LTD STI

Mecidiye Cad No:36-B Sevencan APT  
34394 MECIDIYEKÖY - ISTANBUL  
Tel. +90 212 275 30 88  
Fax, +90 212 275 90 58

#### CHINA

##### SFA 中国

上海市静安区石门二路333弄3号振安  
广场恒安大厦27C (200041)  
Tel. +86(0)21 6218 8969  
Fax. +86(0)21 6218 8970

#### KOREA

##### www.SFA.biz

sales@saniflo-korea.kr

#### South Africa

##### Saniflo Africa (PTY) Ltd

Unit A6 , Spearhead Business Park  
Cnr. Freedom Way & Montague Drive  
Montague Gardens, 7441  
Tél : +27 (0) 21 286 00 28  
www.saniflo.co.za

#### BRAZIL

##### SFA Brasil Equipamentos Sanitários,

Rua Maria Figueiredo 595  
CEP 04002-003 SAO PAULO / SP  
Tel. (11) 3052-2292  
santrit@sanitrit.com.br

#### NEW ZEALAND

##### Saniflo New Zealand Ltd

PO Box 383 Royal Oak,  
Auckland 1345  
Tel : 09 390 4615  
Fax : +61 2 9882 6950

## SERVICE HELPLINES

|                         | TEL                                  | FAX                 |                 |                    |                    |
|-------------------------|--------------------------------------|---------------------|-----------------|--------------------|--------------------|
| France                  | 01 44 82 25 55                       | 03 44 94 46 19      | Benelux         | +31 475 487100     | +31 475 486515     |
| United Kingdom          | 08457 650011 (Call from a land line) | 020 8842 1671       | Sverige         | +46 (0)8-404 15 30 |                    |
| Ireland                 | 1850 23 24 25 (LOW CALL)             | + 353 46 97 33093   | Norge           | +46 (0)8-404 15 30 |                    |
| Australia               | +1300 554 779                        | +61.2.9882.6950     | Polska          | (+4822) 732 00 33  | (+4822) 751 35 16  |
| Deutschland             | 0800 82 27 82 0                      | (060 74) 30928-90   | РОССИЯ          | (495) 258 29 51    | (495) 258 29 51    |
| Italia                  | 0382 6181                            | +39 0382 618200     | Česká Republika | +420 266 712 855   | +420 266 712 856   |
| España                  | +34 93 544 60 76                     | +34 93 462 18 96    | România         | +40 256 245 092    | +40 256 245 029    |
| Portugal                | +35 21 911 27 85                     | +35 21 957 70 00    | Türkiye         | +90 212 275 30 88  | +90 212 275 90 58  |
| Suisse Schweiz Svizzera | +41 (0)32 631 04 74                  | +41 (0)32 631 04 75 | 中国              | +86(0)21 6218 8969 | +86(0)21 6218 8970 |
|                         |                                      |                     | Brazil          | (11) 3052-2292     |                    |

Service information : [www.sfa.biz](http://www.sfa.biz)